



Hahn KT-E KT-EV KT-EN

Universal hinges for PVC doors



- For all common upstand dimensions from 15 to 23 mm

...mit
hahnfunction[®]





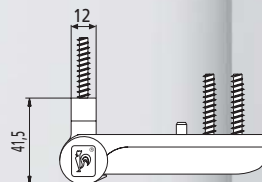
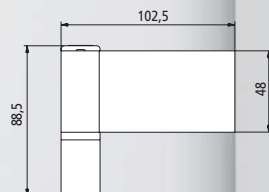
Hahn KT-E

Universal hinges for PVC doors

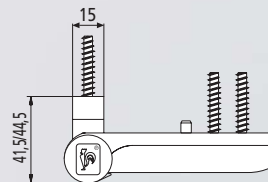


Properties

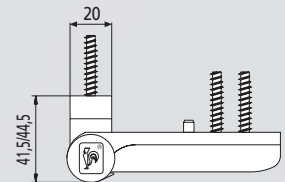
- For optimum function:
Wear-resistant and snug fit of all bearing and adjustment elements.
- Lowering and lifting spindle secured for transport.
- For all common upstand dimensions from 15 to 23 mm.
- Individual parts are securely positioned in the hinge bodies – therefore, no problems during transport or door assembly.
- Effective use of accessories:
existing Hahn drilling jigs may also be used for KT-EN and KT-EV hinges.
- Efficient alignment, all adjustments can be carried out by a single person.
- Greater security with integrated anti-intruder system without any additional parts.
- KT-E: Bearing pins can be removed with door open – without taking the door off its hinges.
- KT-EN, KT-EV: Greater convenience with variable adjustment of sealing pressure without having to lift or remove the door.
- KT-EN with upstand fastening for additional stability.



for very narrow frames



for narrow frames



for standard frames

Hahn KT-EV KT-EN

With new adjustment technique and upstand fastening



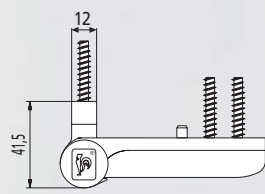
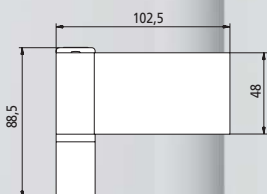
Areas of application

For light-weight PVC doors with narrow sections:

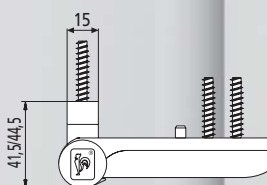
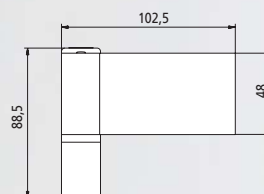
- Main entrance doors
- Side entrance doors
- Inside doors
- Outside doors
- Flat entrance doors
- Opening inwards or outwards
- May be used universally

Materials

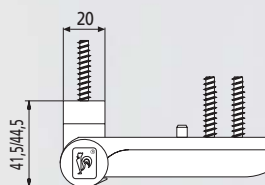
- Hinge bodies of extruded aluminium
- Wear-resistant stainless steel bearing pins
- Bearing bushings made of PVC with Teflon additive
- Maintenance free due to the self-lubricating feature of the special bearing materials that also offers outstanding antifrictional qualities
- Best surface finish
- Bearings are protected against dirt and moisture



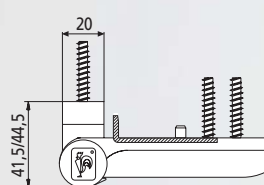
for very narrow frames



for narrow frames



for standard frames



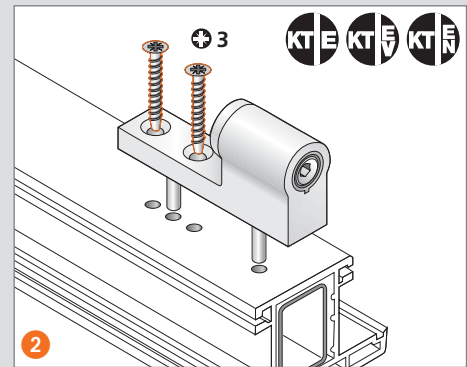
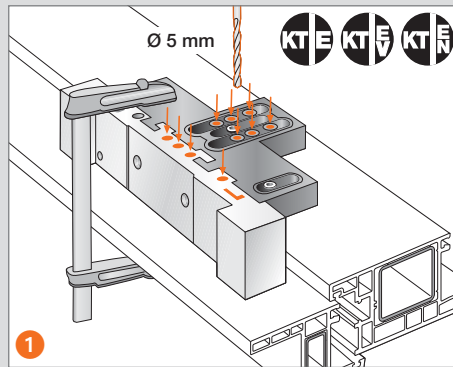
for standard frames



Installation instructions

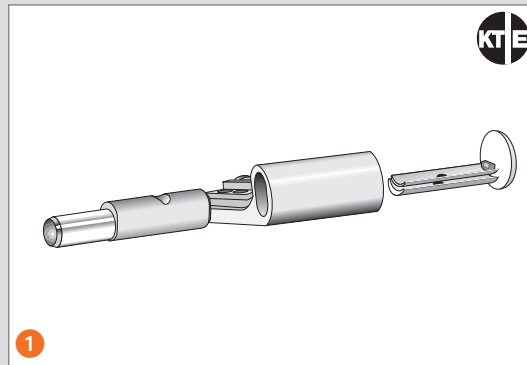
- 1 Position, drill holes in frame and door (Fig. shows door with hinges on left).
- 2 Screw-on hinge part for frame.

Preparing for installation

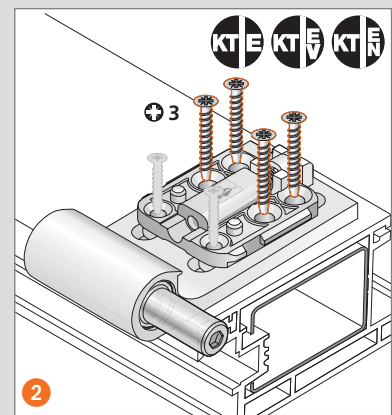
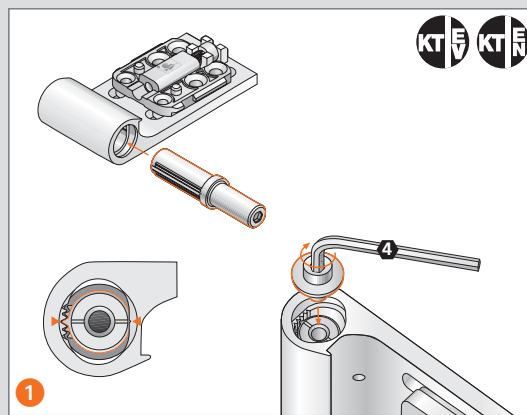


- 1 Note left or right-hand doors.
- 2 Fix eccentric pins.

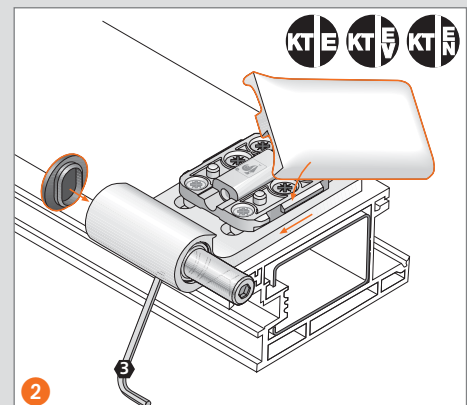
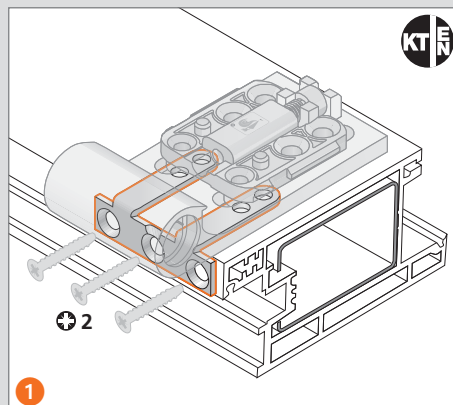
Mounting the hinge part of the door



- 1 Insert bearing pin with marking to centre (zero position) in the door hinge part. Secure pin with special screw (max. 4 Nm).
- 2 Screw-on door hinge. Use additionally two screws – if necessary.

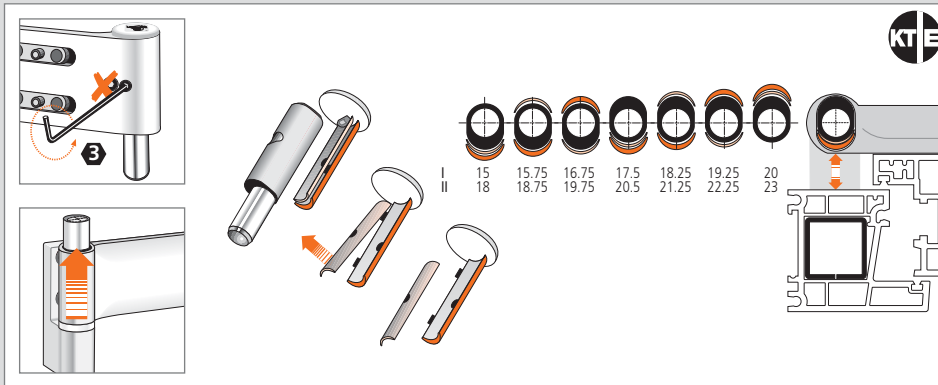


- 1 KT-EN: Screw-on angle steel at the upstand of the door.
- 2 Place and slip on hinge cover in the cut-out. Snap cap in place. Screw in locking screw.



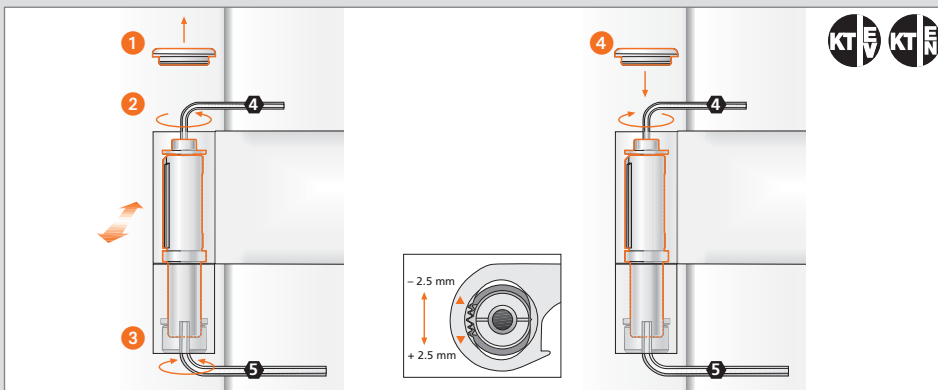
Adjustment instructions

Adjusting the sealing pressure



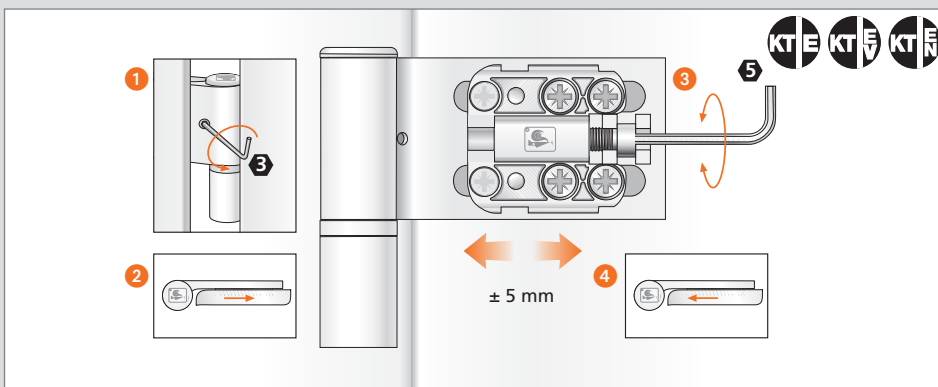
Adjustment of sealing pressure within upstand range.

Uniformly adjust all hinges.

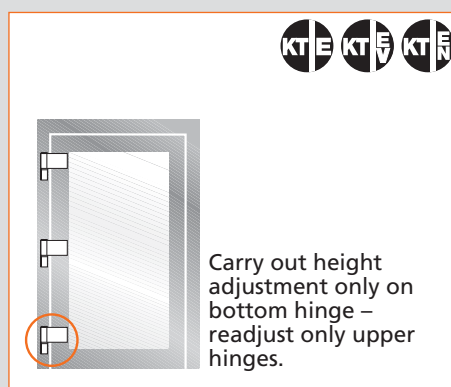
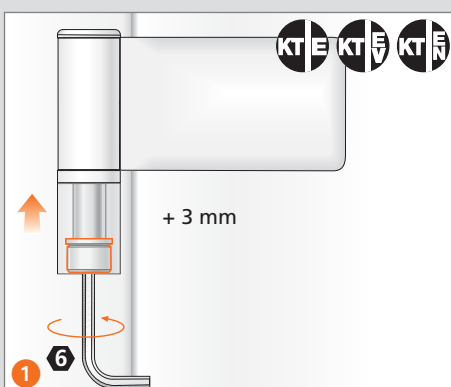


- 1 Remove cap.
- 2 Slightly loosen special screw.
- 3 Adjust sealing pressure and hold in position.
- 4 Tighten special screw (max. 4 Nm) and slip on cap.

Horizontal and height adjustment



- 1 Loosen locking screw.
- 2 Remove cover strip.
- 3 Variable adjustment.
- 4 Slip on cover strip and tighten locking screw.

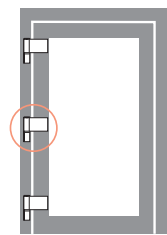


- 1 Vertical adjustment, variable + 3 mm



Load capacity with various degrees of armouring

The cited door weights pertain to doors that are 1000 x 20 mm and which are exposed to normal stress when mounted on two hinges. This information is subject to proper installation of door and general installation scenarios and therefore we accept no responsibility. If in doubt, please contact us. We would gladly advise you.



Even with a third hinge installed in the middle, it is not possible to use heavier doors. The third hinge only helps to ensure a uniform sealing pressure.



Bearing bushing made of maintenance-free PVC containing teflon – **Do NOT lubricate!**

Frame section type



Max. door weight

	KT-E for very narrow frames	KT-E for narrow frames	KT-E
<p>≥ 2 mm Steel/Fe</p>	60 kg	80 kg	120 kg
<p>≥ 2 mm Aluminium ≥ 1 mm Steel/Fe</p>	60 kg	80 kg	80 kg
<p>≥ 2 mm Steel/Fe</p>	60 kg	80 kg	120 kg
<p>≥ 2 mm Aluminium ≥ 1 mm Steel/Fe</p>	60 kg	80 kg	80 kg
	60 kg	80 kg	120 kg

Numeric code

KT-E = K2015V010

KT-EV = K2075V010

KT-EN = K2065V010

(PU = 24 units – Single unit packages available on request)

Upstand range I (15 – 20 mm)

KT-E/KT-EV for very narrow frames

White RAL 9010

No. K□□□EV003

Hinge plate 12 mm

White RAL 9016

No. K□□□GV003

Brown RAL 8077

No. K□□□5V003

Upstand range I (15 – 20 mm)

KT-E/KT-EV for narrow frames

White RAL 9010

No. K□□□EV012

Hinge plate 15 mm

White RAL 9016

No. K□□□GV012

Brown RAL 8077

No. K□□□5V012



Max. door weight



KT-EV

for very narrow frames

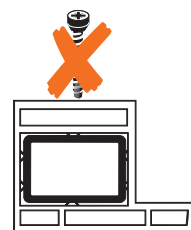
KT-EV

for narrow frames

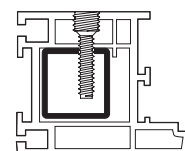
KT-EV

KT-EN

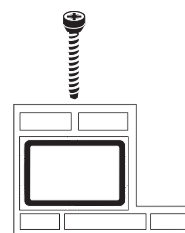
60 kg	80 kg	120 kg	120 kg
60 kg	80 kg	80 kg	80 kg
60 kg	80 kg	120 kg	120 kg
60 kg	80 kg	80 kg	80 kg
60 kg	80 kg	120 kg	120 kg



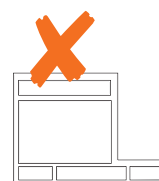
In case of sections with prechambers, direct installation of screws may cause deformation of the prechamber.



Bridge prechamber in case of direct installation with Hahn step screw.



With braced prechambers, it is no longer necessary to use lining material as long as the fastening screw goes through the web or just to the side of it.



Do not install a hinge to sections that do not have any reinforcement!

Upstand range I (15 – 20 mm)

KT-E/KT-EV/KT-EN

White RAL 9010

No. K□□□EV000

Hinge plate 20 mm

White RAL 9016

No. K□□□GV000

Brown RAL 8077

No. K□□□5V000

Upstand range II (18 – 23 mm)

KT-E/KT-EV for narrow frames

White RAL 9010

No. K□□□EV031

Hinge plate 15 mm

White RAL 9016

No. K□□□GV031

Brown RAL 8077

No. K□□□5V031

Upstand range II (18 – 23 mm)

KT-E/KT-EV/KT-EN

White RAL 9010

No. K□□□EV008

Hinge plate 20 mm

White RAL 9016

No. K□□□GV008

Brown RAL 8077

No. K□□□5V008

Other models available on request.



Hahn KT-E KT-EV KT-EN for plastic doors

Stock numbers / Accessories / Individual parts

Accessories / Individual parts

Drilling jig

for standard frames

für K□□□_0000/K□□□_0008 No. T305A0000

for very narrow and narrow frames

für K□□□_0003/K□□□_0012 No. T308A0000

Automatic rod drilling jig

for standard frames

für K□□□_0000 No. T405A0000

for very narrow and narrow frames

für K□□□_0003 No. T408A0000

Frame hinge part for very narrow frames

Hinge plate 12 mm – upstand range I

PVC parts white

RAL+ No. K200B0008

PVC parts black

RAL+ No. K200B0005

Frame hinge part for narrow frames

Hinge plate 15 mm – upstand range I

PVC parts white

RAL+ No. K200B0018

PVC parts black

RAL+ No. K200B0017

Frame hinge part for standard frames

Hinge plate 20 mm – upstand range I

PVC parts white

RAL+ No. K200B0007

PVC parts black

RAL+ No. K200B0003

Frame hinge part for narrow frames

Hinge plate 15 mm – upstand range II

PVC parts white

RAL+ No. K200B0035

PVC parts black

RAL+ No. K200B0034

Frame hinge part for standard frames

Hinge plate 20 mm – upstand range II

PVC parts white

RAL+ No. K200B0014

PVC parts black

RAL+ No. K200B0013

Bearing bushing with lowering and lifting spindle

White

No. K200B0006

Black

No. K200B0001

Cap for KT-EV/KT-EN

White

No. K200K0011

Black

No. K200K0010

Cap with upstand adjustment KT-E

White

No. K200K0003

Black

No. K200K0000

Eccentric pins for KT-E

No. K200E0001

Bearing pin for KT-EV and KT-EN

No. K200E0009

Adjustment unit KT-E and KT-EV

No. K200B0037

Hinge part of door KT-E

No. K200F0001

Hinge part of door KT-EV

No. K200F0022

Hinge part of door KT-EN,

Adjustment unit with angle steel pre-assembled

No. K200B0040

Hinge cover

No. K200E0012

Special screw

No. K200E0011

Locking screw small

No. E3300802

Set screw

No. DT914M6X8

Countersunk head tapping screw

No. EF9000521