



Hahn KT-S KT-SV KT-SN

Universal hinges for PVC doors

KT | S

KT | SV

KT | SN



- For all common upstand dimensions from 15 to 23 mm



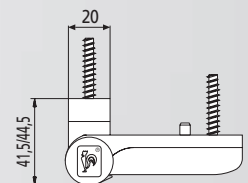
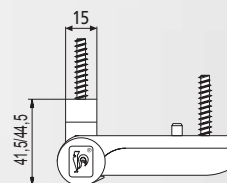
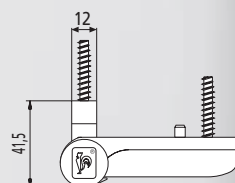
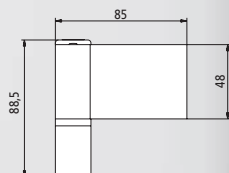
Hahn KT-S

Universal hinges for PVC doors



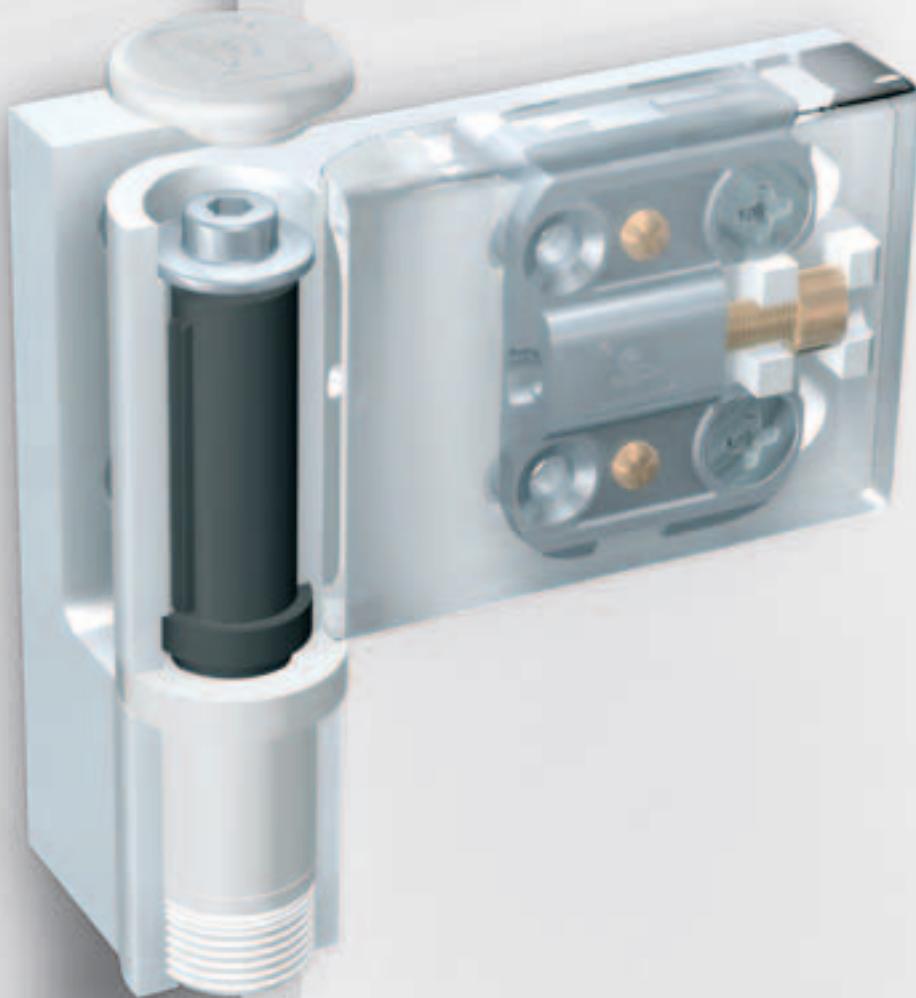
Properties

- For optimum function:
Wear-resistant and snug fit of all bearing and adjustment elements.
- Lowering and lifting spindle secured for transport.
- For all common upstand dimensions from 15 to 23 mm.
- Individual parts are securely positioned in the hinge bodies – therefore, no problems during transport or door assembly.
- Effective use of accessories:
existing Hahn drilling jigs may also be used for KT-SN and KT-SV hinges.
- Efficient alignment, all adjustments can be carried out by a single person.
- Greater security with integrated anti-intruder system without any additional parts.
- KT-S: Bearing pins can be removed with door open – without taking the door off its hinges.
- KT-SN, KT-SV: Greater convenience with variable adjustment of sealing pressure without having to lift or remove the door.
- KT-SN with upstand fastening for additional stability.



Hahn KT-SV KT-SN

With new adjustment technique and upstand fastening



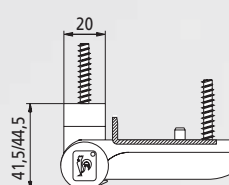
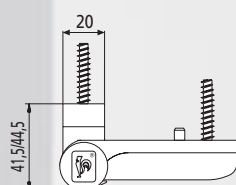
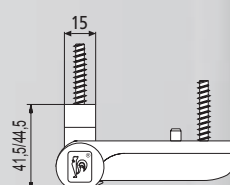
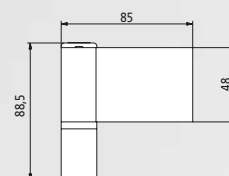
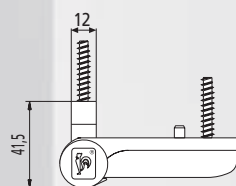
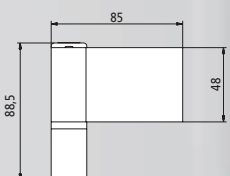
Areas of application

For light-weight PVC doors with narrow sections:

- Main entrance doors
- Side entrance doors
- Inside doors
- Outside doors
- Flat entrance doors
- Opening inwards or outwards
- May be used universally

Materials

- Hinge bodies of extruded aluminium
- Wear-resistant stainless steel bearing pins
- Bearing bushings made of PVC with Teflon additive
- Maintenance free due to the self-lubricating feature of the special bearing materials that also offers outstanding antifrictional qualities
- Best surface finish
- Bearings are protected against dirt and moisture

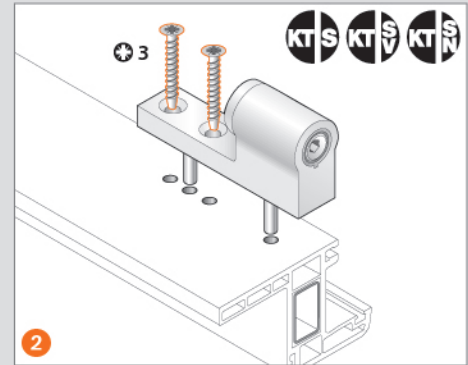
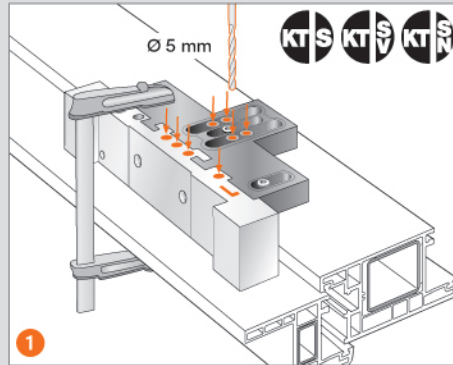




Installation instructions

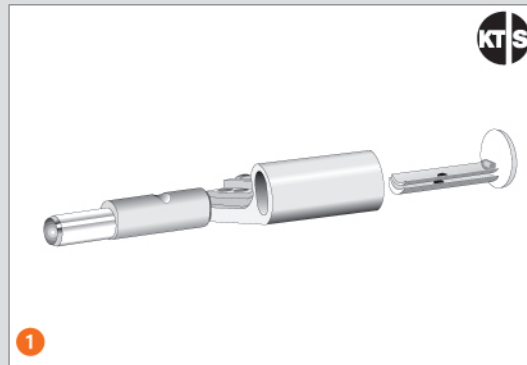
- 1 Easy to position, drill holes in frame and door (Fig. shows door with hinges on left).
- 2 Screw-on hinge part for frame.

Preparing for installation

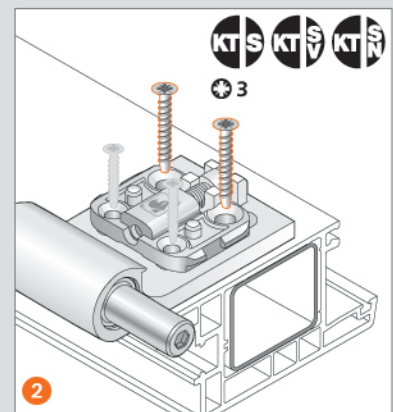
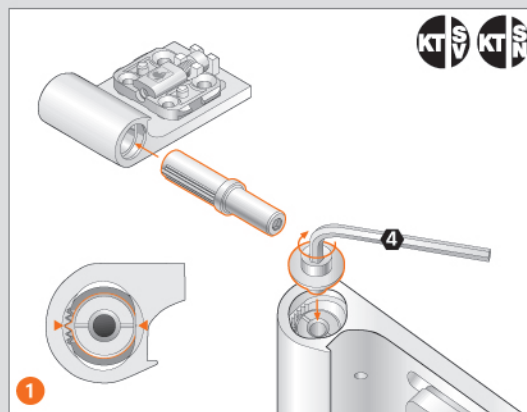


- 1 Note left or right-hand doors.
- 2 Fix eccentric pins.

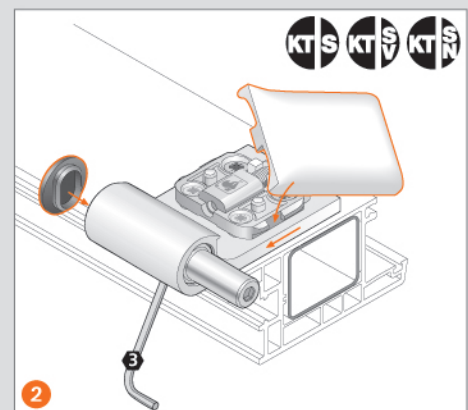
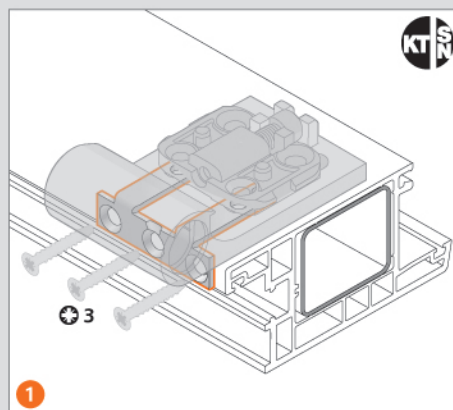
Mounting the hinge part for the door



- 1 Insert bearing pin with marking to centre (zero position) in the door hinge part. Secure pin with special screw (max. 4 Nm).
- 2 Screw-on door hinge. Use additionally two screws – if necessary.

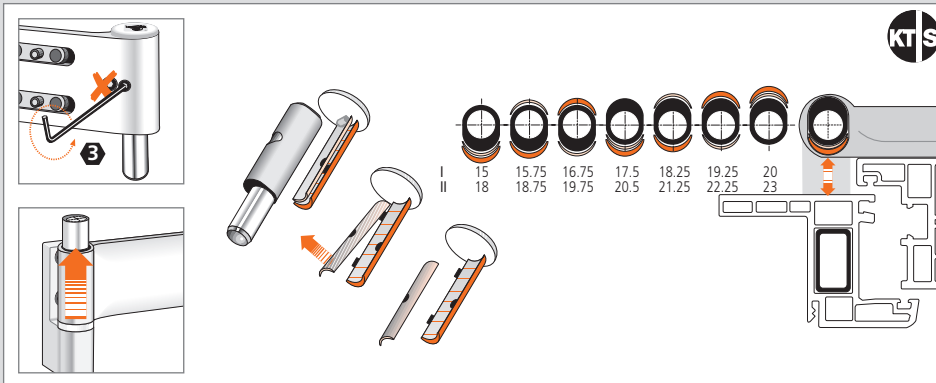


- 1 KT-SN: Screw-on angle steel at the upstand of the door.
- 2 Place and slip on hinge cover in the cut-out. Snap cap in place. Screw in locking screw.



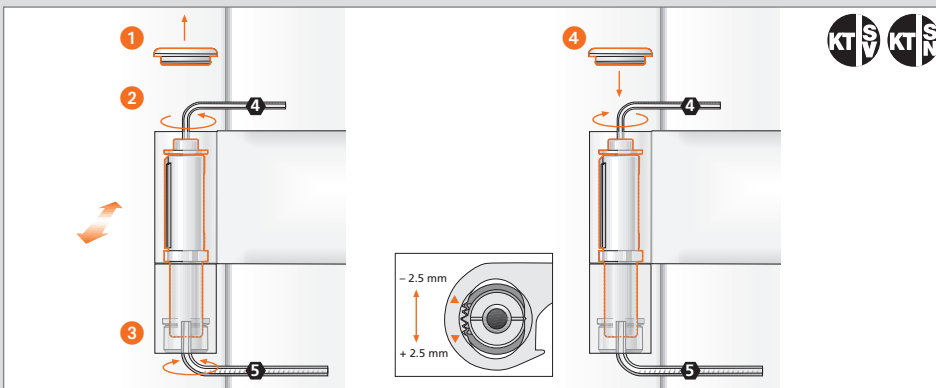
Adjustment instructions

Adjusting the sealing pressure



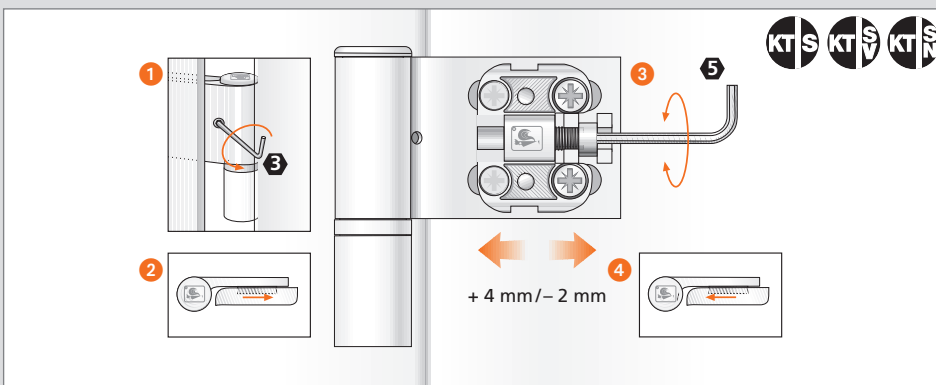
Adjustment of sealing pressure within upstand range.

Uniformly adjust all hinges.

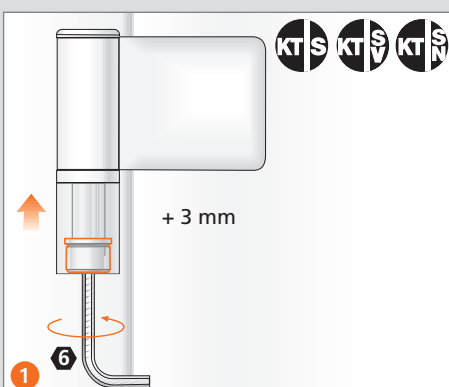


- 1 Remove cap.
- 2 Slightly loosen special screw.
- 3 Adjust sealing pressure and hold in position.
- 4 Tighten special screw (max. 4 Nm) and slip on cap.

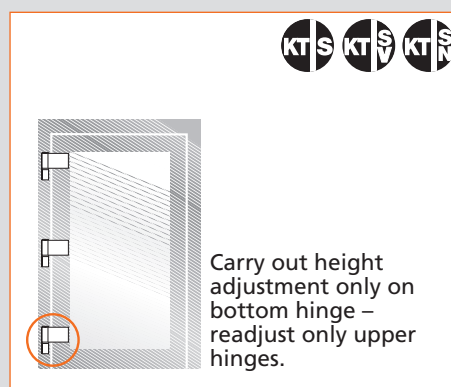
Horizontal and height adjustment



- 1 Loosen locking screw.
- 2 Remove cover strip.
- 3 Variable adjustment.
- 4 Slip on cover strip and tighten locking screw.



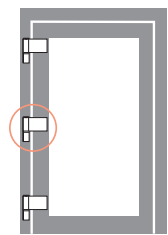
- 1 Vertical adjustment, variable + 3 mm





Load capacity with various degrees of armouring

The cited door weights pertain to doors that are 1000 x 20 mm and which are exposed to normal stress when mounted on two hinges. This information is subject to proper installation of door and general installation scenarios and therefore we accept no responsibility. If in doubt, please contact us. We would gladly advise you.



Even with a third hinge installed in the middle, it is not possible to use heavier doors. The third hinge only helps to ensure a uniform sealing pressure.



Bearing bushing made of maintenance-free plastic containing teflon – **Do NOT lubricate!**

Frame section type



Max. door weight

	KT-S for very narrow frames	KT-S for narrow frames	KT-S
<p>≥ 2 mm Steel/Fe ≤ 68 mm</p>	60 kg	80 kg	80 kg
<p>≥ 2 mm Aluminium ≥ 1 mm Steel/Fe ≤ 68 mm</p>	60 kg	80 kg	80 kg
<p>≥ 2 mm Steel/Fe ≤ 48 mm</p>	60 kg	80 kg	80 kg
<p>≥ 2 mm Aluminium ≥ 1 mm Steel/Fe ≤ 48 mm</p>	60 kg	80 kg	80 kg
	60 kg	80 kg	80 kg

Numeric code

KT-S = K2015V010

KT-SV = K3075V010

KT-SN = K3065V010

(PU = 24 units – Single unit packages available on request)

Upstand range I (15 – 20 mm)

KT-S/KT-SV for very narrow frames

White RAL 9010

No. K□□□EV002

White RAL 9016

No. K□□□GV002

Brown RAL 8077

No. K□□□5V002

Upstand range I (15 – 20 mm)

KT-S/KT-SV for narrow frames

White RAL 9010

No. K□□□EV013

White RAL 9016

No. K□□□GV013

Brown RAL 8077

No. K□□□5V013



Max. door weight



KT-SV

for very narrow frames

KT-SV

for narrow frames

KT-SV

KT-SN

60 kg

80 kg

80 kg

80 kg

60 kg

80 kg

80 kg

80 kg

60 kg

80 kg

80 kg

80 kg

60 kg

80 kg

80 kg

80 kg

60 kg

80 kg

80 kg

80 kg

Upstand range I (15 – 20 mm)

KT-S/KT-SV/KT-SN

White RAL 9010

No. K□□□EV001

White RAL 9016

No. K□□□GV001

Brown RAL 8077

No. K□□□5V001

Upstand range II (18 – 23 mm)

KT-S/KT-SV for narrow frames

White RAL 9010

No. K□□□EV030

White RAL 9016

No. K□□□GV030

Brown RAL 8077

No. K□□□5V030

Upstand range II (18 – 23 mm)

KT-S/KT-SV/KT-SN

White RAL 9010

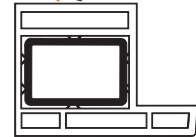
No. K□□□EV010

White RAL 9016

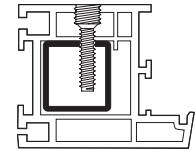
No. K□□□GV010

Brown RAL 8077

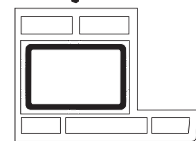
No. K□□□5V010



In case of sections with prechambers, direct installation of screws may cause deformation of the prechamber.



Bridge prechamber in case of direct installation with Hahn step screw.



With braced prechambers, it is no longer necessary to use lining material as long as the fastening screw goes through the web or just to the side of it.



Do not install a hinge to sections that do not have any reinforcement!



Hahn KT-S KT-SV KT-SN for plastic doors

Stock numbers / Accessories / Individual parts

Accessories / Individual parts

Drilling jig		No. T307A0000
Automatic rod drilling jig		No. T407A0000
Frame hinge part for very narrow frames	PVC parts white	RAL+ No. K200B0008
	PVC parts black	RAL+ No. K200B0005
Frame hinge part for narrow frames	PVC parts white	RAL+ No. K200B0018
	PVC parts black	RAL+ No. K200B0017
Frame hinge part	PVC parts white	RAL+ No. K200B0007
	PVC parts black	RAL+ No. K200B0003
Bearing bushing with lowering and lifting spindle	White	No. K200B0006
	Black	No. K200B0001
Cap for KT-SV/KT-SN	White	No. K200K0011
	Black	No. K200K0010
Cap with upstand adjustment	White	No. K200K0003
KT-S	Black	No. K200K0000
Eccentric pins for KT-S		No. K200E0001
Bearing pin for KT-SV and KT-SN		No. K200E0009
Adjustment unit KT-S and KT-SV		No. K300B0003
Hinge part of door KT-S		No. K200F0015
Hinge part of door KT-SV		No. K300F0006
Hinge part of door KT-SN, Adjustment unit with angle steel pre-assembled		No. K300B0004
Hinge cover		No. K200G0005
Special screw		No. K200E0011
Locking screw small		No. E3300802
Set screw		No. DT914M6X8
Countersunk head tapping screw		No. EF9000521